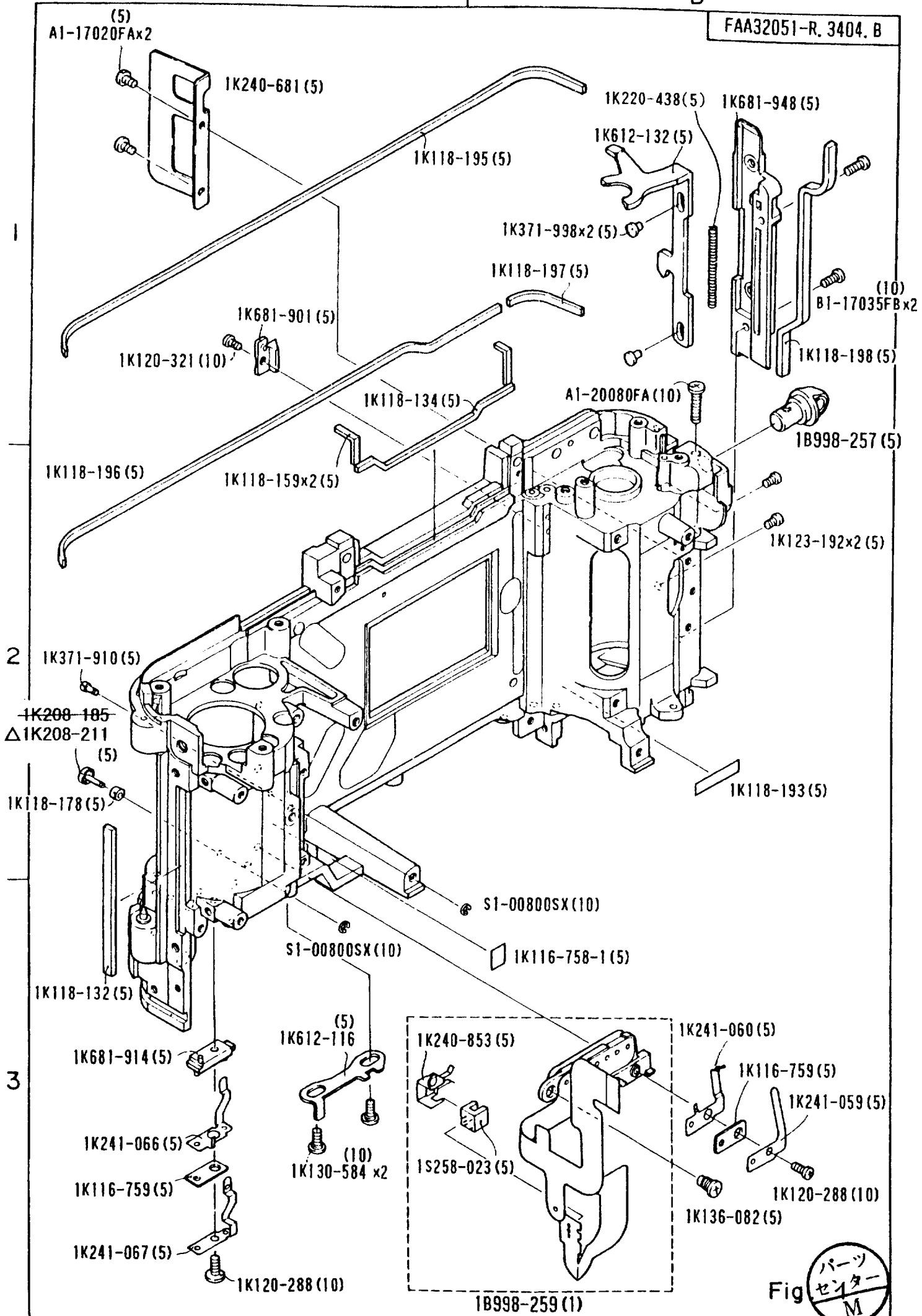


A

B

FAA32051-R. 3404. B



A

B

FAA32051-R. 3404. B

1B998-306-1 (1)

1B998-302 (5)

1K230-448 (5)

S1-01200SX (10)

TA-0003
(4x10)

1K118-171 (5)

1K118-170 (5)

1K681-012 (5)

1K241-075 (5)

1S726-078 (5)

1K116-757 (5)

1K241-076 (5)

1K120-292 (10)

1K600-840 (5)

(10)
T1-01000SX x14

(5)
1K630-936 x2

1B998-301 (1)

1K260-808 (5)

1K601-405 (5)

1K307-036 (5)

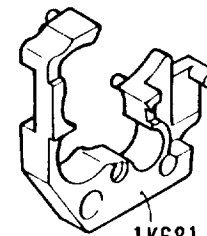
1K277-223 (5)

S1-02000SX (10)

2

1K277-221 (5)

1K277-222 (5)



1K681-927 (5)

1B998-303 (1)

B1-20030FA (10)

(10)
B1-17020FAx2

B1-20030FA (10)

3

1K230-446 (5)

1B998-305-1 (5)

1B060-634 (5)

1K230-445 (5)

S1-01500SX (10)

1K146-170 (10)

1B998-304 (5)

1K230-444 (5)

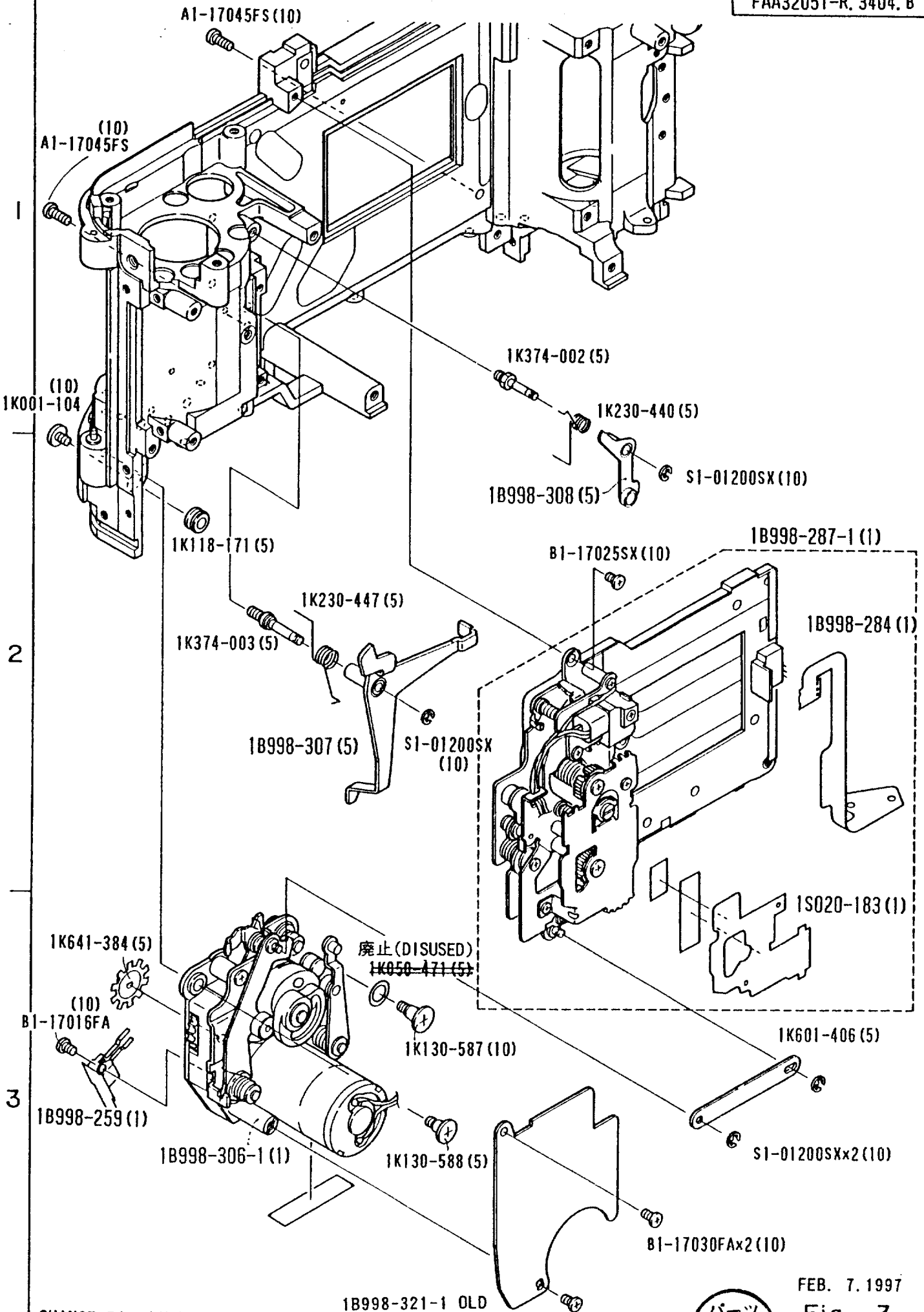
S1-01500SX (10)

Fig. 2

A

B

FAA32051-R. 3404. B



CHANGE PAGE(差替え) △×1 1B998-321-1 OLD
 △ 1B998-321-2 NEW (1)

FEB. 7. 1997

Fig. 3



9703-1/20

A

B

FAA32051-R, 3404, B

1B998-296-1 (1)

H1-14025FA(10)

1K241-068 (5)

1S258-023 (5)

1K001-114(10)

1S020-178 (1)

1K277-219 (5)

TA-0003 (4x10)

1K120-208 (10)

1K010-205x2 (10)

1B998-295-1 (1)

1K260-805 (5)

1K277-220 (5)

1K260-804 (5)

1B998-294 (5)

S1-01200SX (10)

1K050-469 (10)

1K001-113x2 (10)

1K260-806 (5)

1B998-293 (5)

1K260-801-1 old
1K260-801-2 new

(10)
S1-01200SX

1K230-439 (5)

1K681-923 (5)

1B998-289 OLD
1B998-289-1 NEW

1K050-469 (10)

1B998-292 (5)

1K260-807 (5)

1K230-436 (5)

1K640-866-1 (5)

S1-01200SX (10)

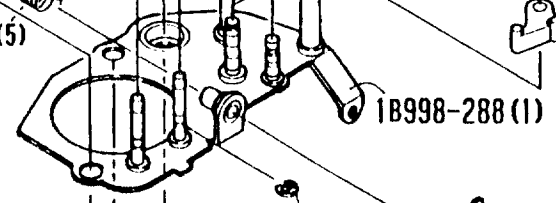
S1-01200SX (10)

1K260-803 (5)

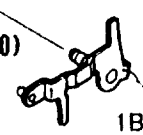
1K230-435 (5)

1K681-924 (5)

1K641-382 (5)



S1-01200SX (10)



- △ 1K220-419-2
- 1K050-494
- △ 1K050-496

1K010-205x2 (10)

1K110-460 (5)

1B998-290 OLD
1B998-290-1 NEW

1B998-291-1 (1)

1K371-958 (5)

CHANGE PAGE(差し替え)△×2

AUG 25 1997

Fig. 4
M

2x 1/4 x 25

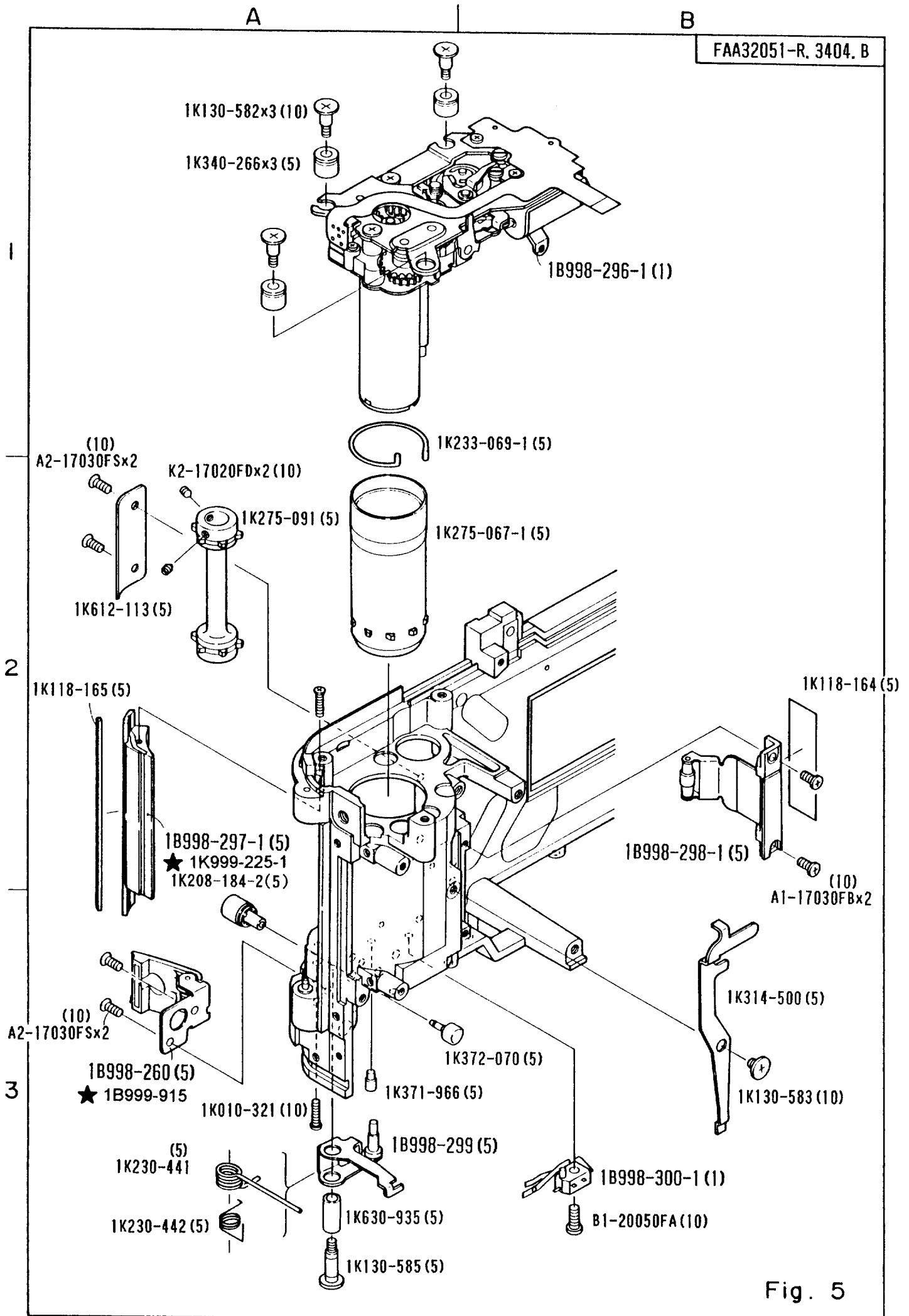


Fig. 5

★ R1 button modification (larger button) — F 5 · P5 —
must be used together

A

B

FAA32051-R. 3404. B

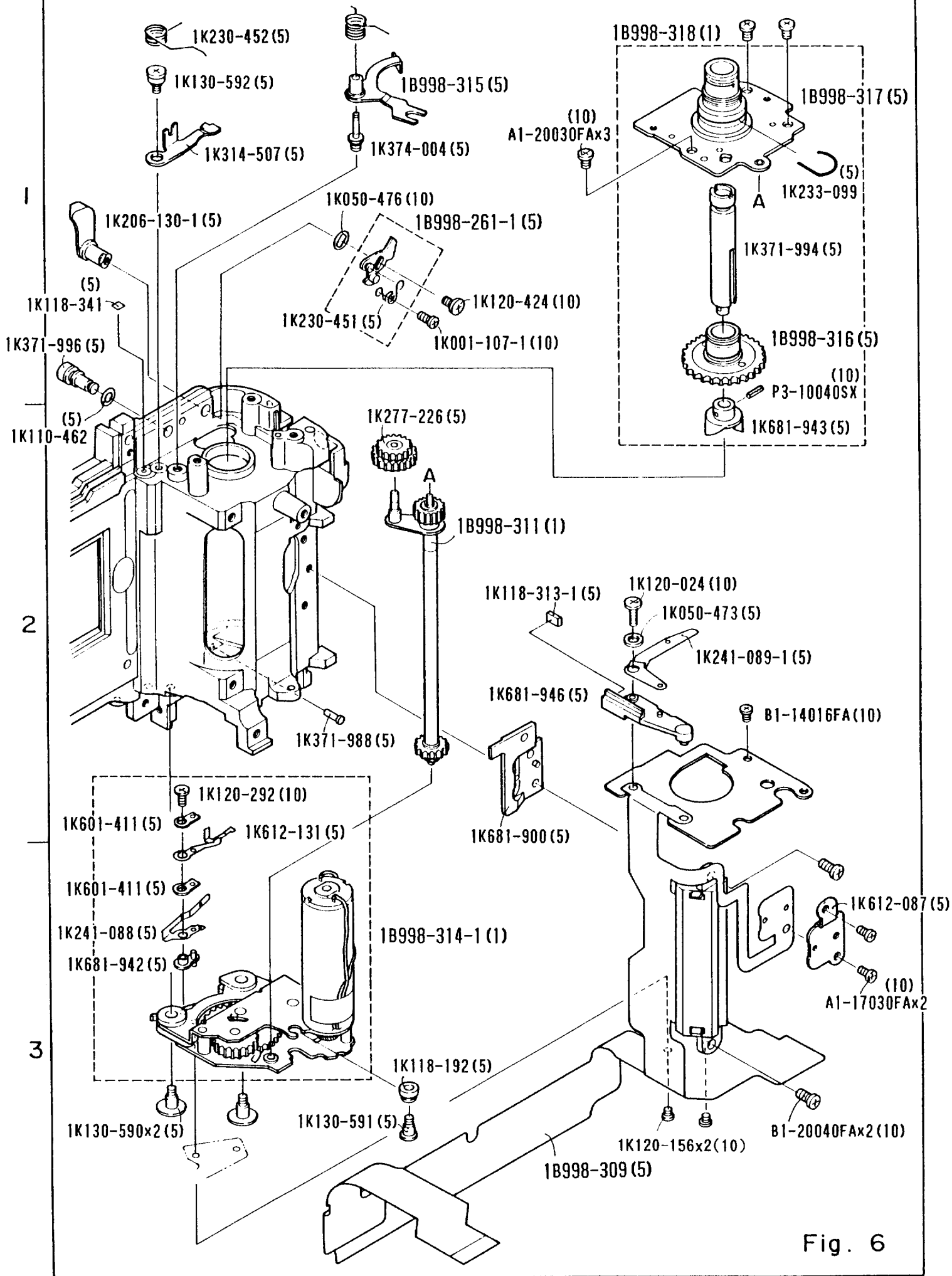
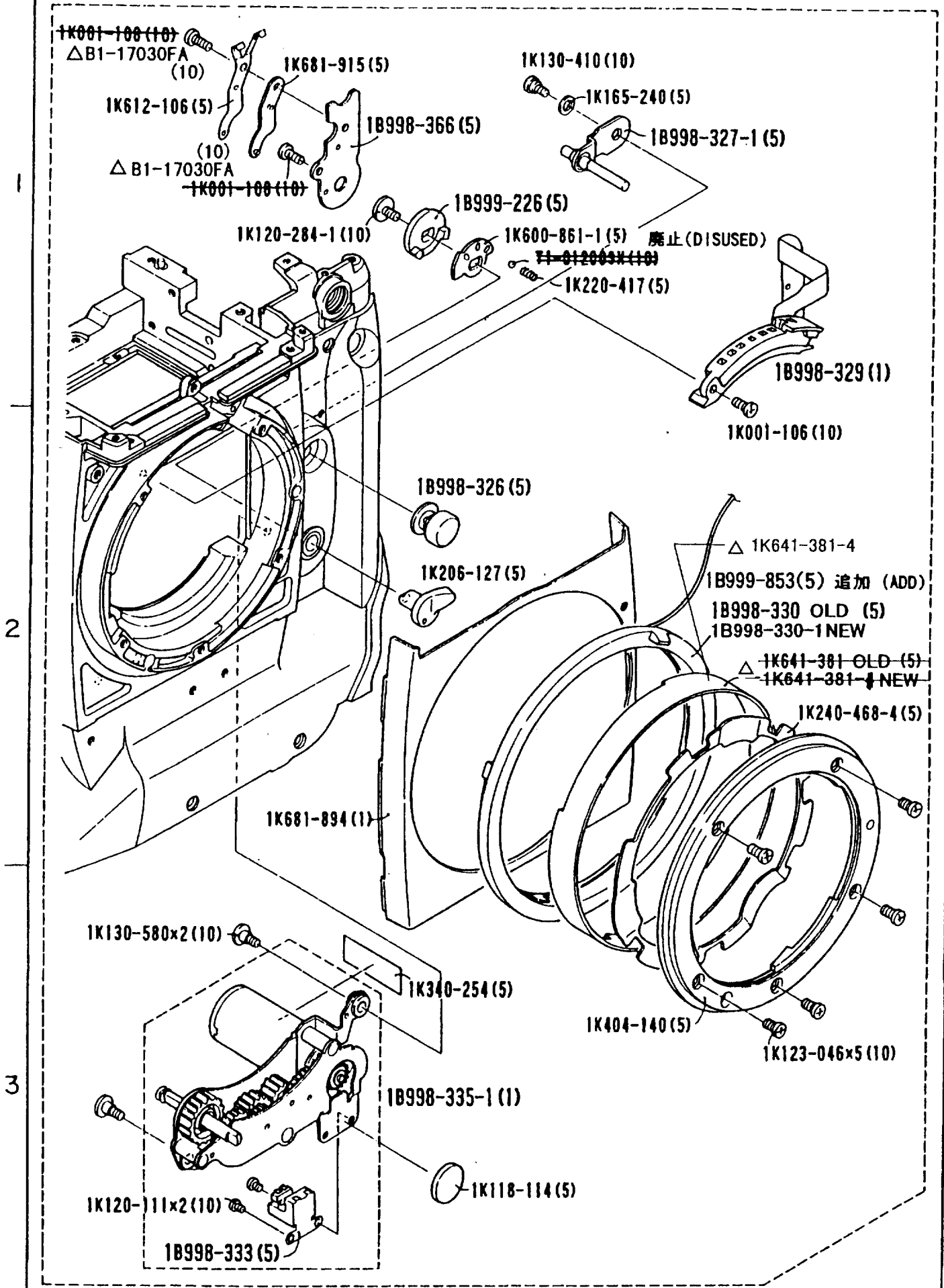


Fig. 6

A

B



JUL 24. 1998

Fig. 7

A

B

1B998-383-1(1)

1B999-892

FAA32051-R. 3404. B

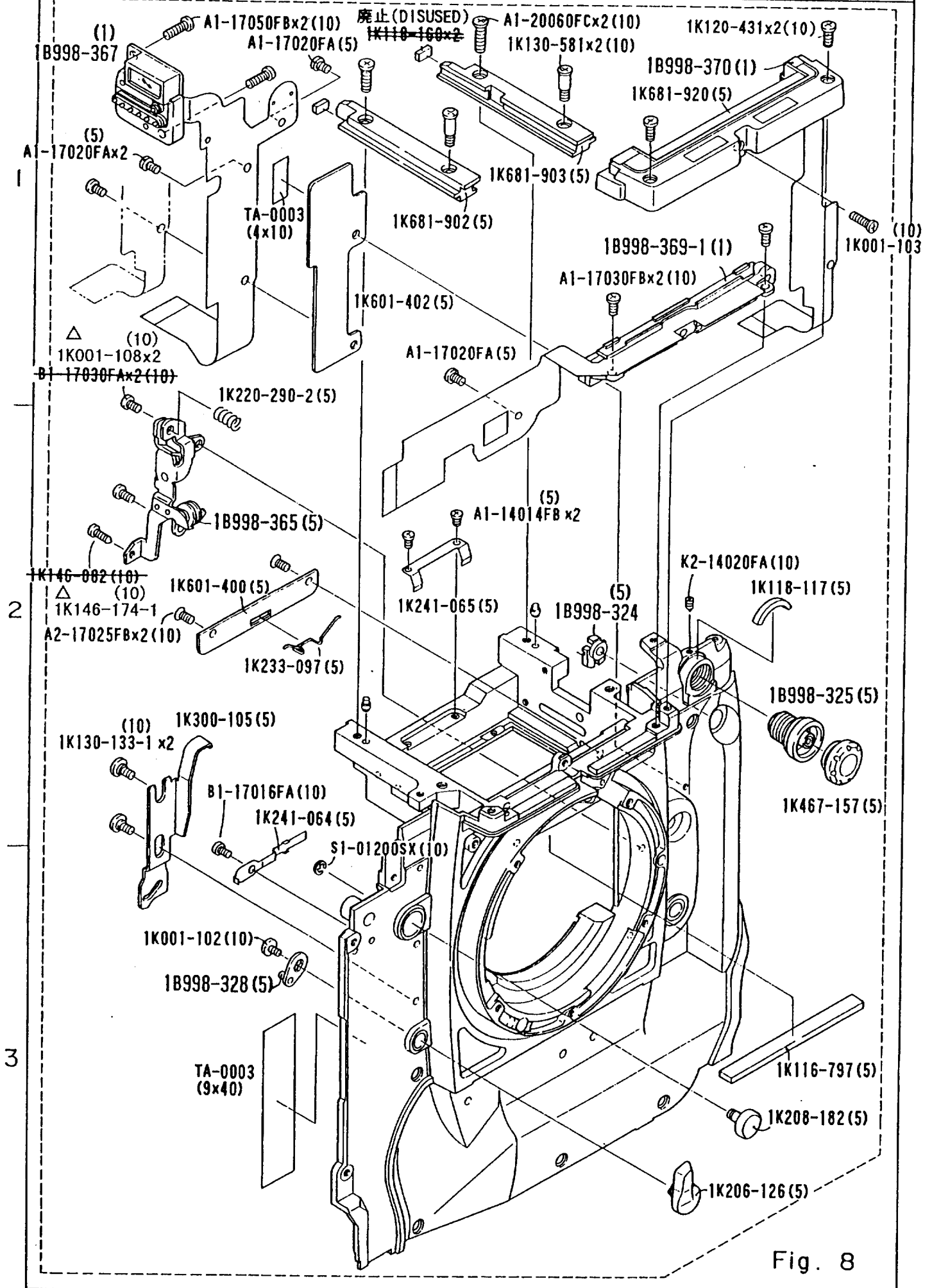


Fig. 8

A

B

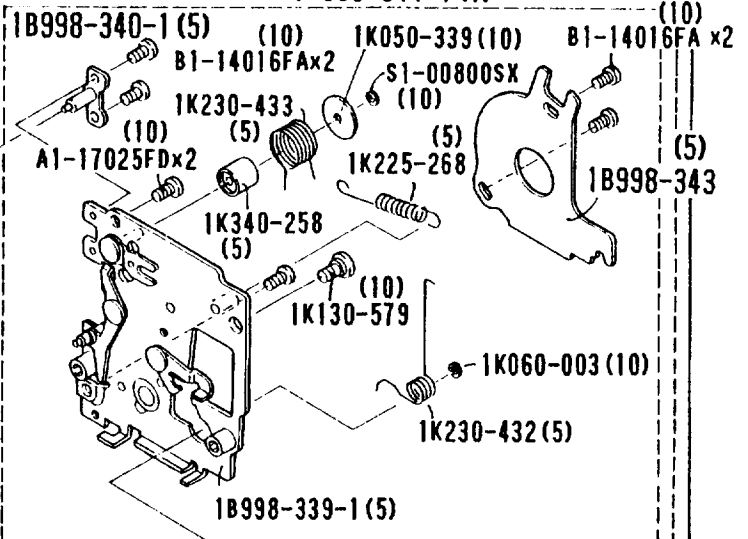
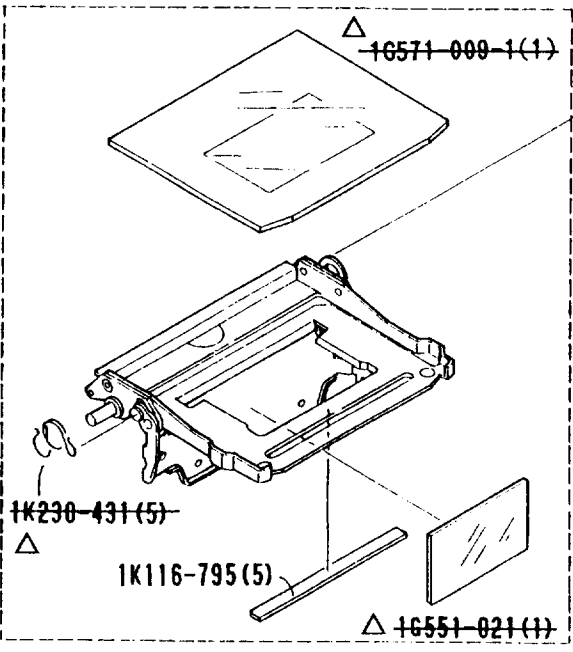
△ 1B998-364-2
-1B999-891-

FAA32051-R. 3404. B

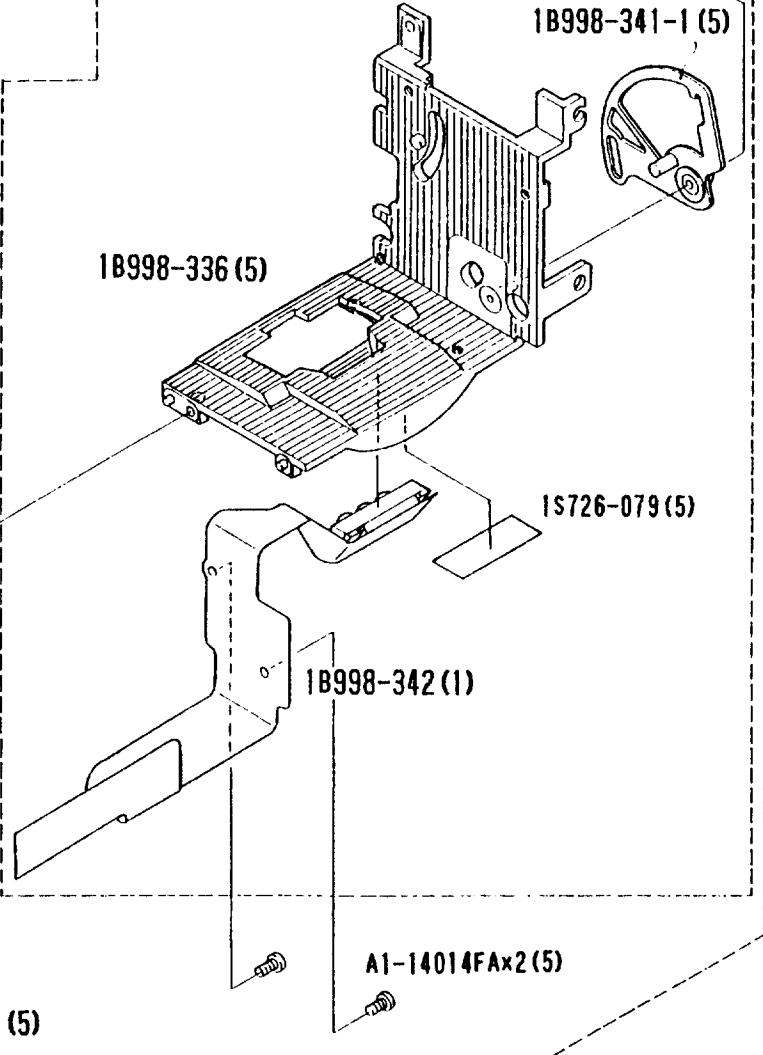
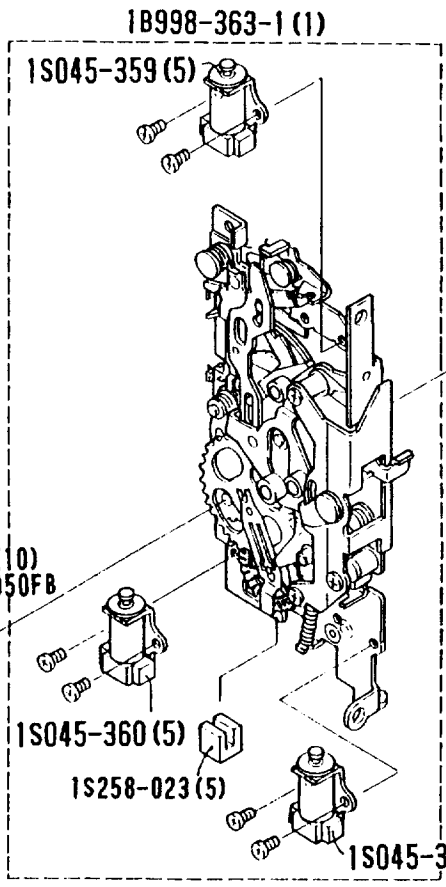
△ 1B998-349-2
-1B999-890-

1K050-334 } (10)
1K050-338 } 0-1

1B998-344-1 (1)



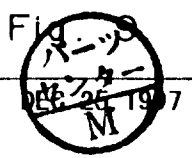
2



3

CHANGE PAGE (差し替え) △ × 5

- F 9 · P 5 -



A

B

1B998-383-1(1) 1B999-892

FAA32051-R. 3404. B

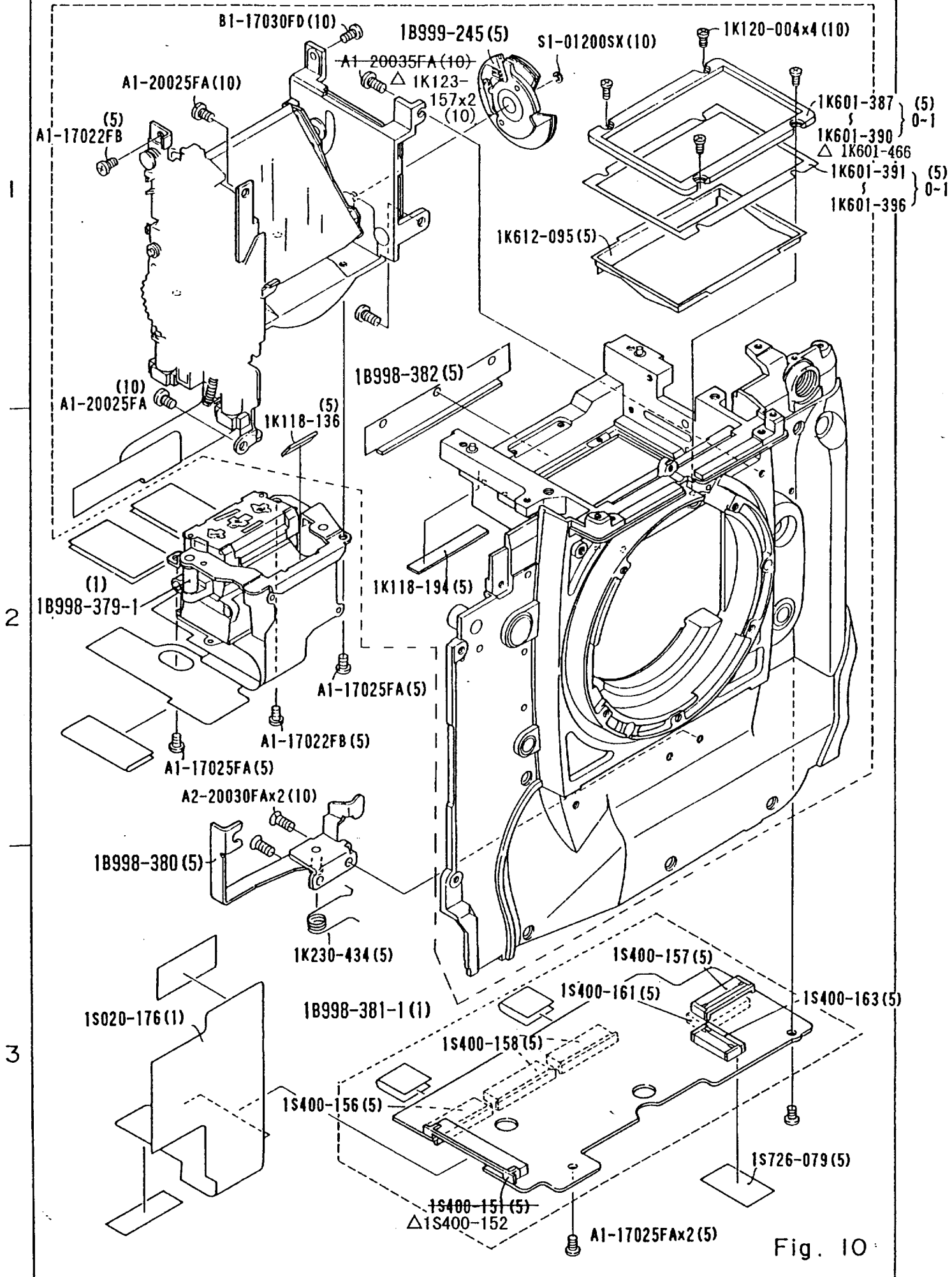


Fig. 10



A

B

FAA32051-R, 3404, B

1B998-396-1 (1)

1K601-407 (5)

1K208-186 (5)

1B998-395-1 (5)

1K118-172 (5)

1K116-705 (5)

1B998-387 (5)

1K208-211

1K220-281-1 (5)

追加 (ADD)
1K681-895 (1)

1K118-178 (5)

1B998-388 (5)

1B998-387 (5)

1K118-176 (5)

1K612-122 (5)

追加 (ADD)
1K681-895 (1)

1K208-187 (5)

1K118-180 (5)

1K118-173 (5)

B1-17030FA (10)

S1-01200SX (10)

G2-17035FA (10)

1K230-449 (5)

(10)
G2-17035FA

1K681-929 (5)

N3-04000FA (10)

1K130-589 (5)

S1-00800SX (10)

1K241-080 (5)

1K371-983 (5)

1S758-063 (5)

1B998-389 (5)

1S758-062 (5)

1S268-045 (5)

B1-14020FA (10)

G2-14025FAx2 (10)

1S758-062 (5)

1K118-174 (5)

1S758-061x2 (5)

S1-01200SX (10)

1K241-085 x2 (5)

1K010-320 x2 (10)

1K630-938 (5)

1K630-942 (5)

0-1
廃止 (DISUSED)

1K601-409-1

1B998-391 (5)

1K118-149 (5)

1B998-393 (5)

A2-14020FBx2 (10)

TA-0003 x2 (8x20)

1S705-329 (1)

A2-17025FAx3 (10)

1B998-394-1 (5)

1B998-390 (5)

△1K118-357-1 (5)

B2-17050FA x2 (10)

G2-17030FAx4 (10)

A2-17025FAx3 (10)

Fig. 11

1

2

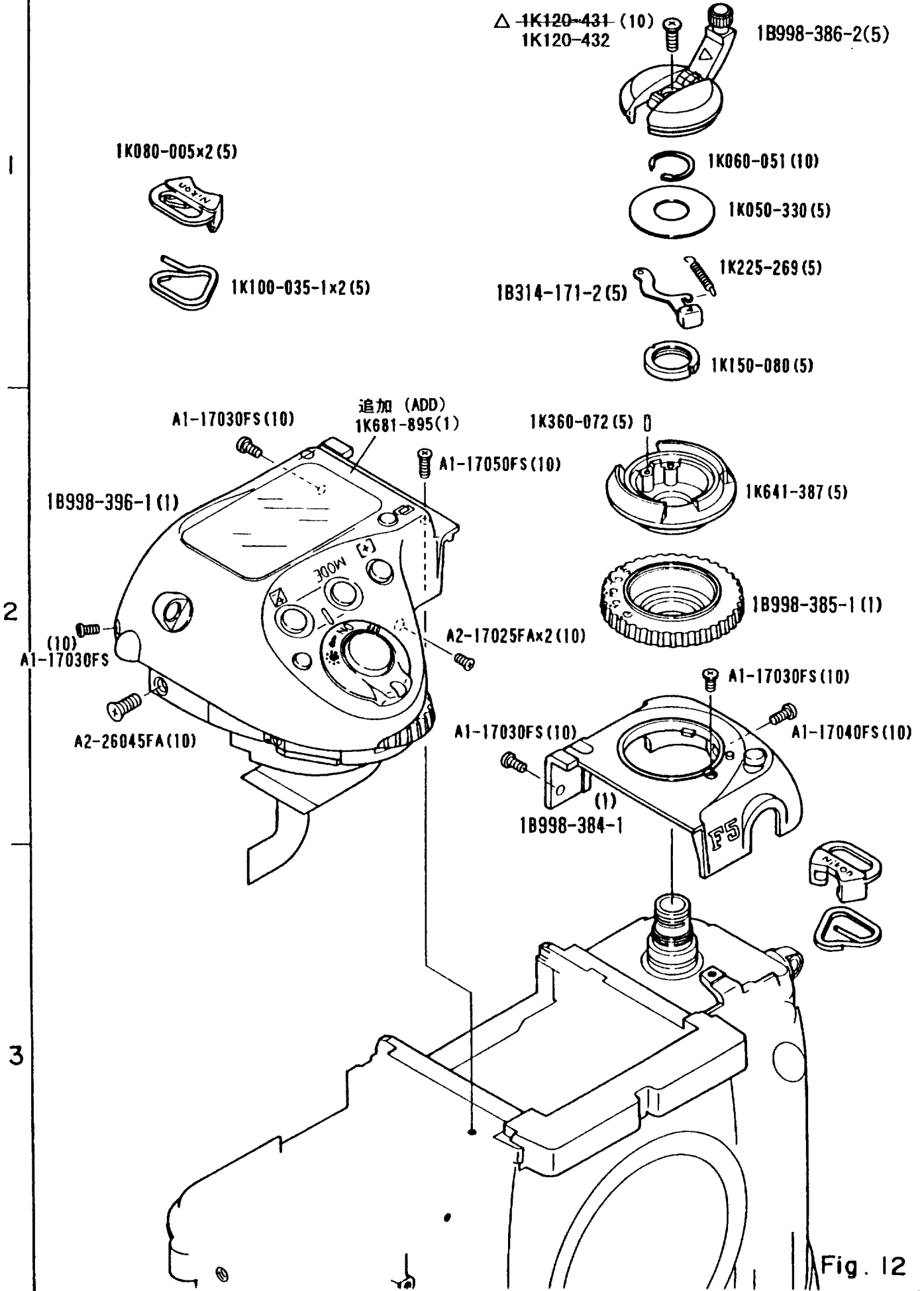
3



A

B

FAA32051-R. 3404. B



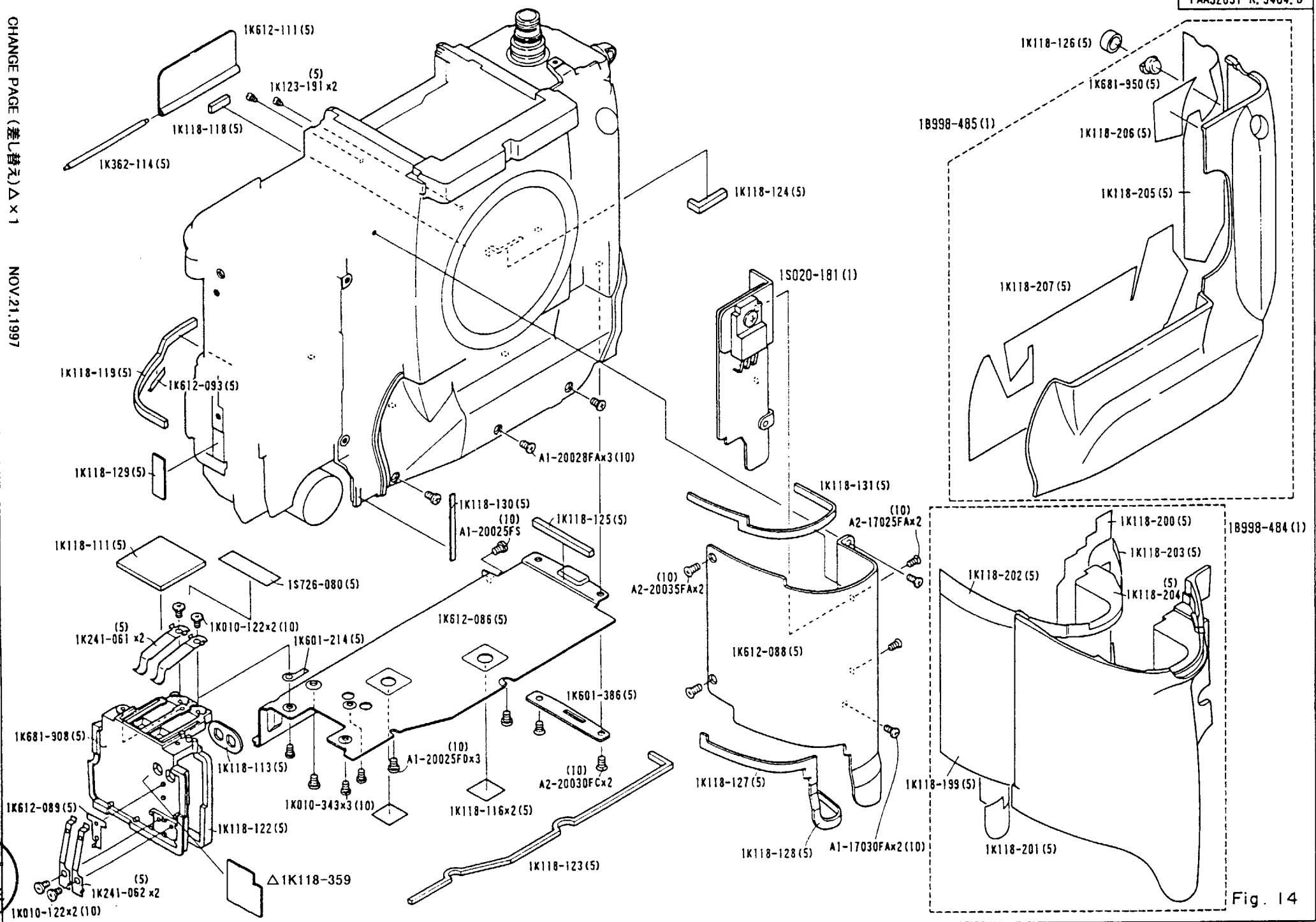
A B C D

CHANGE PAGE (差し替え) Δ x 1

NOV.21,1997

2

3



1
2
3
4
5
6
7
8
9
10
11
12
13
14
15
16
17
18
19
20
21
22
23
24
25
26
27
28
29
30
31
32
33
34
35
36
37
38
39
40
41
42
43
44
45
46
47
48
49
50
51
52
53
54
55
56
57
58
59
60
61
62
63
64
65
66
67
68
69
70
71
72
73
74
75
76
77
78
79
80
81
82
83
84
85
86
87
88
89
90
91
92
93
94
95
96
97
98
99
100

Fig. 14

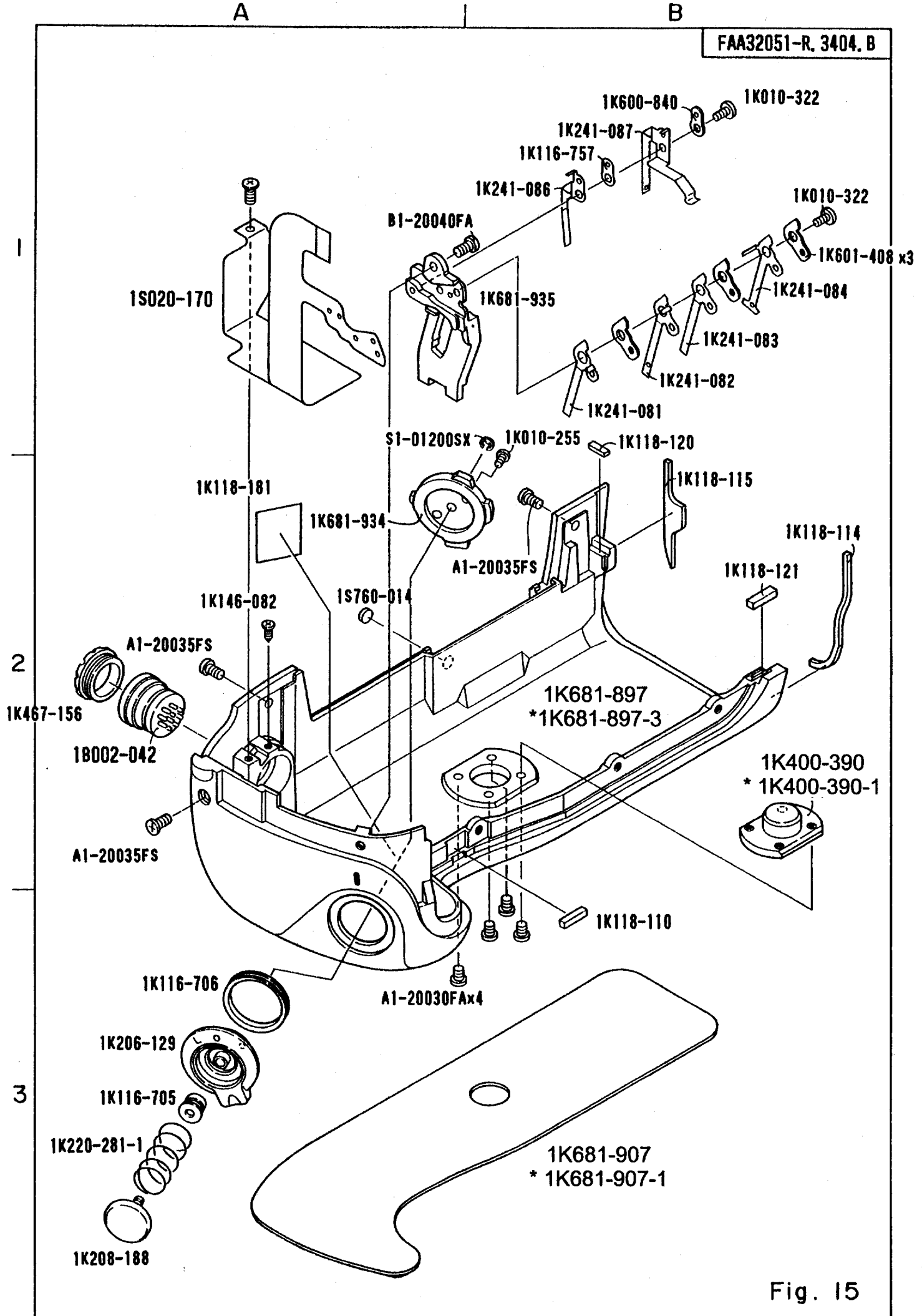


Fig. 15

* New type parts, can only be used together — F 1 5 · P 5 —
T-99098

A

B

1

2

3

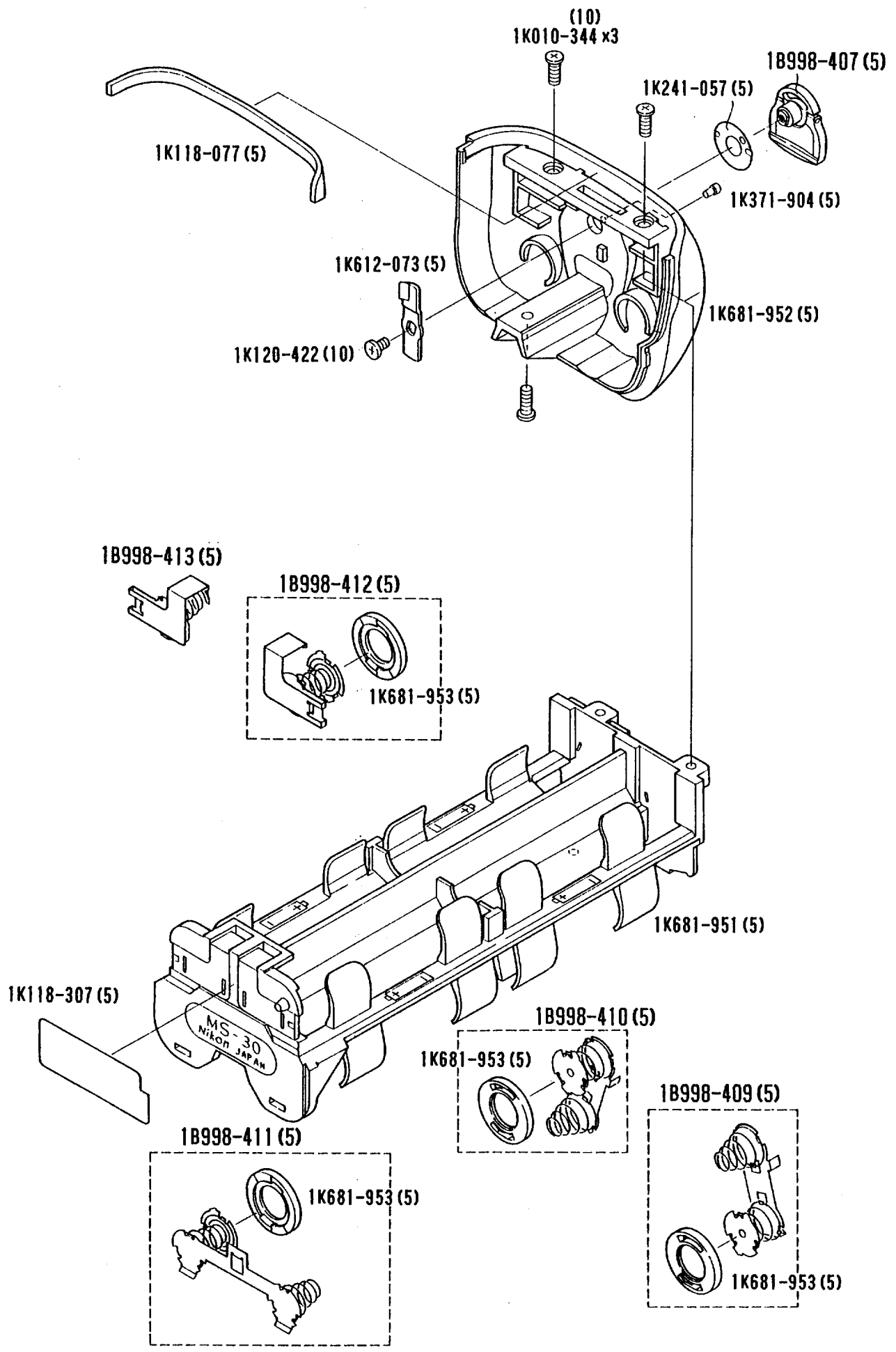


Fig. 16

A

B

C

D

1B998-406-2(1)

1B999-827(1)

1K118-186(5)

1K118-187(5)

1K118-188(5)

1K118-308(5)

1K681-937(5)

1K118-191(5)

G2-17030FAx3(10)

1K371-434-1(5)

1K607-014 x2 (5)

1K220-031(5)

1K118-184(5)

1K118-183x2(5)

1K681-938(5)

1B998-405-1(1)

1K118-185(5)

1K201-119(5)

1K050-472(10)

1S758-064(5)

1K681-940(5)

1K248-025(5)

1S705-339(1)

Δ 1K220-418-1

1K371-987x5(5)

1K681-939(5)

H1-14030FSx2(10)

1K118-189(5)

1K126-011-1(5)

G1-17030FSx3(10)

1K240-588-2(5)

G1-17025FAx2(10)

1K118-182(5)

1K118-190(5)

1B998-402-1(1)

1

2

3

Fig. 17